

Main

| | |
|------------------------------------|----------------------|
| Accessory / separate part category | Cabling accessory |
| Accessory / separate part type | Pre-wired connectors |
| Series name | General purpose |

Complementary

| | |
|--------------------------------|---|
| Electrical connection | Elbowed female connector, connector type: M12 5 pins (included earth pin) |
| Cable connector fixing | Screw-on |
| Collar material | Metal |
| Status LED | Without |
| Cable length | 10 m |
| Cable outer diameter | 5.9 mm |
| Cable composition | 5 x 0.34 mm ² |
| Wire insulation material | PUR |
| [Ue] rated operational voltage | 75 V DC 60 V AC |
| [In] rated current | 4 A |
| Contact resistance | <= 5000 µOhm |
| Insulating resistance | >= 1 GΩ |
| Product weight | 0.52 kg |

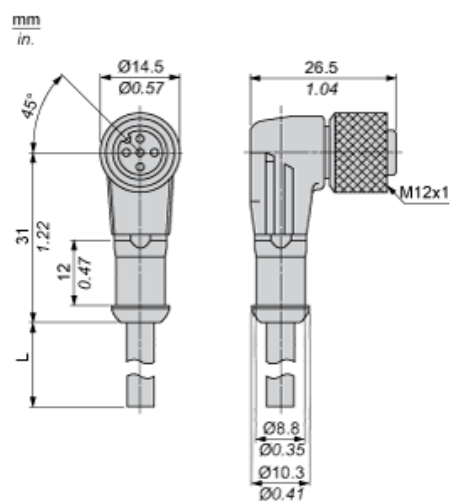
Environment

| | |
|---------------------------------------|--|
| IP degree of protection | IP65 IP67 IP69K |
| Ambient air temperature for operation | -5...80 °C (flexing) -40...80 °C (static) |
| Ambient air temperature for storage | -40...80 °C |

Offer Sustainability

| | |
|----------------------------------|---|
| Sustainable offer status | Green Premium product |
| RoHS (date code: YYWW) | Compliant - since 0649 - Schneider Electric declaration of conformity |
| REACH | Reference not containing SVHC above the threshold |
| Product environmental profile | Available Download Product Environmental |
| Product end of life instructions | Available Download End Of Life Manual |

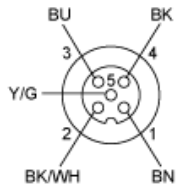
Dimensions



L : Length of cable

Connections and Schemes

Connectors



- BU : Blue
- BN : Brown
- BK : Black
- Y/G : Yellow / Green
- BK/ Black / White
- WH :